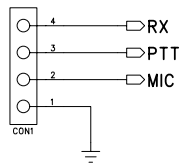
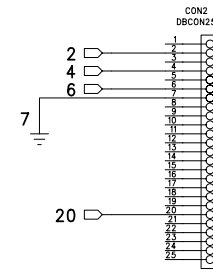
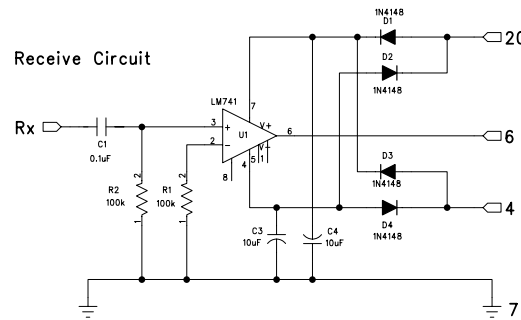


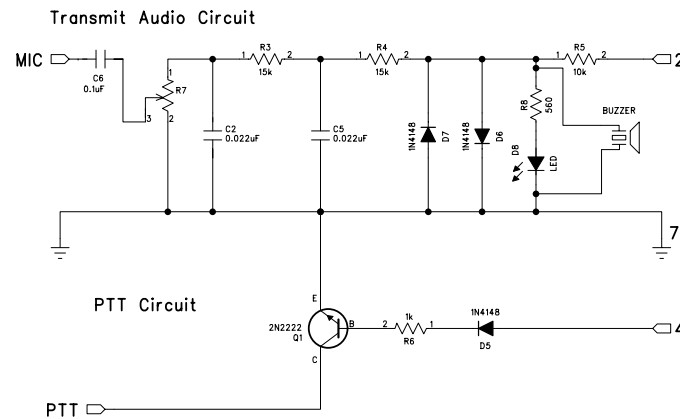
Schematic drafted by Francis Lee, VR2XKP



4 way Mini Din connector



DB25 Female Connector



The R8,LED,Buzzer is option.